



M&S safety valves are TÜV component-tested valves that are used to protect hygienic pressure-bearing systems, such as pressure vessels or piping systems, in the event of an impermissible increase in pressure. When the preset maximum operating pressure is reached, the valve opens, thereby reducing the system pressure. After the overpressure has been reduced, the valve closes and the system can continue to be operated safely.

The M&S safety valves comply with the specification of the Pressure Equipment Directive (PED 2014/68/EU) as a safety device for pressure limitation or pressure relief in production systems.

M&S manufactures the HyCom safety valve with a wide range of connection options as well as in two different versions that can be selected according to the requirements. Optionally, they can be equipped with pneumatic lifting, position feedback and valve heating.

HyCom Safety valves



Fig. 1

Cut HyCom Safety valves



Fig. 2

Usage

For relief in case of inadmissible pressure increase in

- tanks;
- Piping systems.

With normal and higher demands on cleanability.

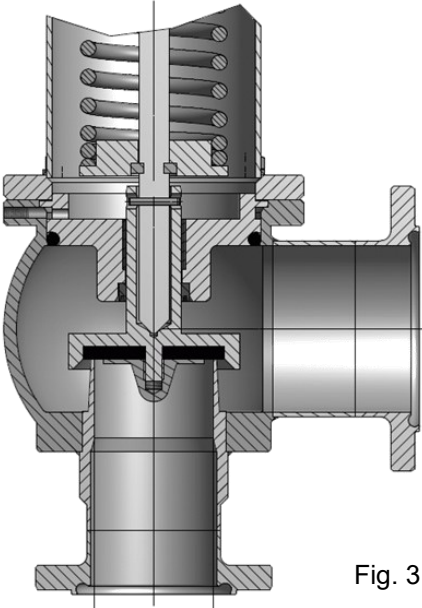
For

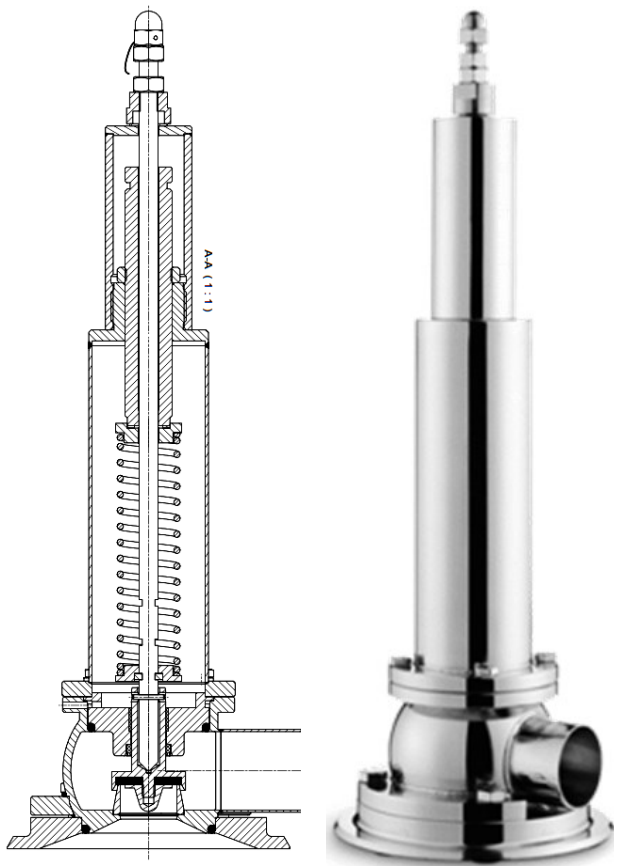
- Non-toxic gases;
- steam;
- Neutral, non-sticky liquids (fluids group II).

Features

Versions



Usage	Features	Versions
<ul style="list-style-type: none">Hygienic design with optimum cleanability (Fig. 2);Flow-optimised dead space-free ball housing (Fig. 3);Very good cleanability and sterilisability (CIP/SIP);Seat cleaning manual, optional pneumatic lifting (picture 1 left);Set pressure constant;TÜV component-tested.		 <p data-bbox="1316 929 1388 963">Fig. 3</p>

Usage	Features	Versions
<ul style="list-style-type: none">Sizes<ul style="list-style-type: none">* DN25 - DN 80Pressure/adjustment ranges<ul style="list-style-type: none">* 0,5 -10 bar (deviations depending on size)Materials<ul style="list-style-type: none">* 1.4404 AISI 316L, 1.4435 AISI 316L;* Gaskets (FDA-compliant) EPDM und FKM.Surfaces<ul style="list-style-type: none">* $Ra \leq 0,8 \mu m$ (product contact)optional $Ra \leq 0,4 \mu m$Optional extras<ul style="list-style-type: none">* pneumatic lifting;* valve heating;* Position feedback.Special version<ul style="list-style-type: none">* As low dead space tank protection with weld-in flange for the tank dome (Fig. 4).		 <p data-bbox="1133 2049 1204 2083">Fig. 4</p>