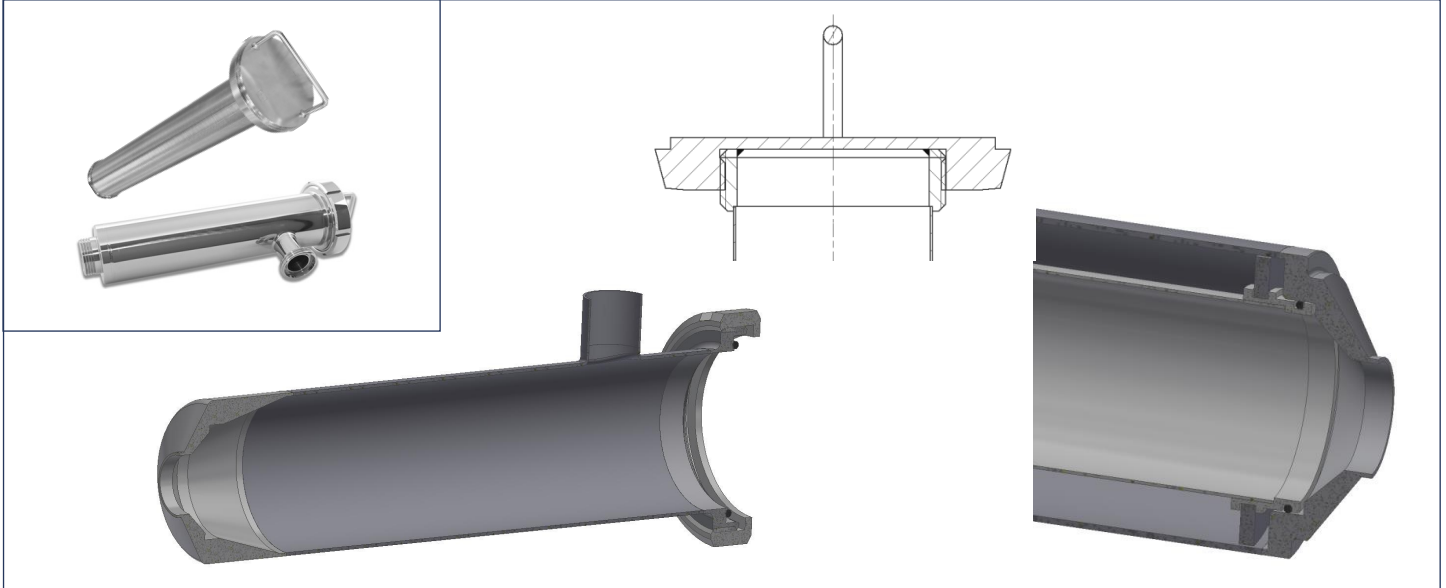




M&S angular filters can be designed or modified for a wide variety of filtration tasks. Depending on the task, the performance data, the installation situation or other specifications, the angular filters are adapted.

This also includes modifications for easier handling, e.g. in difficult installation situations, or for complete disassembly of the strainer insert for optimum cleaning.

Variations



Usage

Features

Versions

- Housings with insertion aids
 - * For centering the strainer insert when changing inserts in difficult installation positions.
- Strainer insert with PTFE wiper
 - * For manual emptying of the sieve screen body, removal of adhesions and as an insertion aid.
- Detachable strainer insert
 - * Detachable strainer insert for manual cleaning.


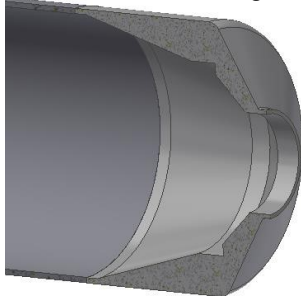

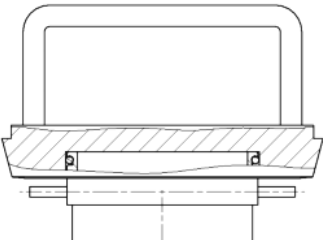
Usage

Features

Versions

- Housing with guide plates as insertion aid
 - * Easier assembly of the strainer insert.
 - * Good cleanability.
- Housing with conically turned bottom seat as insertion aid.
 - * Easier assembly of the strainer insert due to centring housing base.
 - * Solid bottom seat guarantees very good cleanability.
- Strainer insert with PTFE wiper
 - * A fitted PTFE ring on the strainer support ring ensures that the strainer body is emptied when the strainer insert is removed.
 - * Good sliding properties during assembly and disassembly.
- Detachable strainer insert
 - * Plugged-in version
 - ◆ Easy separation of sieve screen body and sieve cover.
 - ◆ Good cleanability
 - * Screwed version
 - ◆ Easy separation of sieve screen body and sieve cover.
 - ◆ Stable rigid connection of sieve screen body and sieve cover.



Usage	Features	Versions
<ul style="list-style-type: none">• Housing with guide plates as insertion aid (figure 1)<ul style="list-style-type: none">* Guide plates welded into the sieve housing centre and guide the strainer insert during the assembly process.• Housing with conically machined bottom as insertion aid (figure 2)<ul style="list-style-type: none">* A conically machined solid housing base centres the strainer insert during the assembly process.• Strainer insert with PTFE wiper (figure 3)<ul style="list-style-type: none">* Strainer insert with modified support ring to accommodate a PTFE ring.* The size of the PTFE ring is matched to the inner diameter of the housing.• Detachable strainer insert<ul style="list-style-type: none">* Plugged-in version (figure 4)<ul style="list-style-type: none">◆ Strainer body with O-ring seal in the housing closure.* Screwed version (figure 5)<ul style="list-style-type: none">◆ Strainer body with round thread for screwing into the housing closure.		<p data-bbox="1353 389 1422 421">Fig. 1</p>  <p data-bbox="1353 734 1422 766">Fig. 2</p>  <p data-bbox="1353 1115 1422 1146">Fig. 3</p>  <p data-bbox="1353 1487 1422 1518">Fig. 4</p>  <p data-bbox="1353 1823 1422 1854">Fig. 5</p> 