

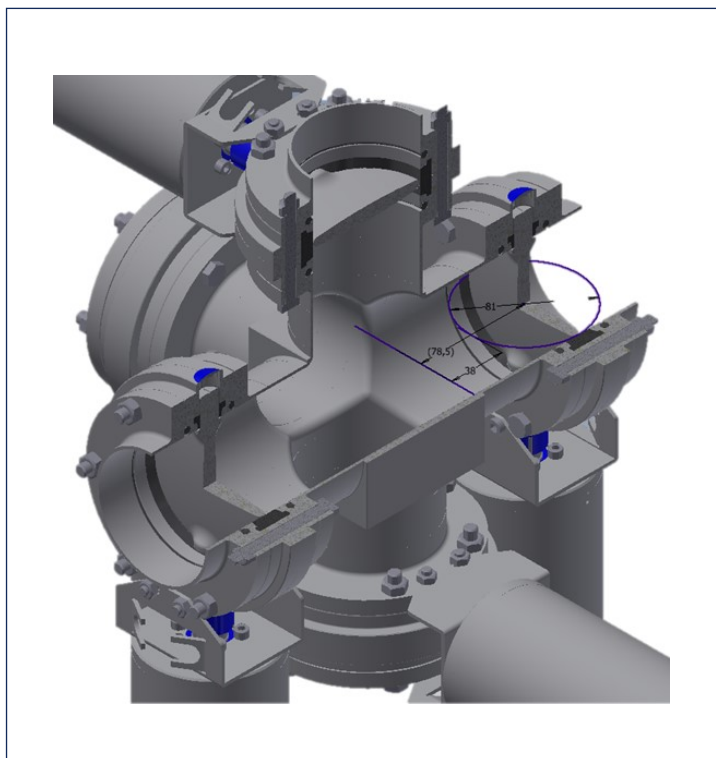


M&S Multi-port-butterfly valve

M&S multi-port butterfly valves are used for the distribution or diversion of media. They consist of a solid valve body with at least 3 to a maximum of 6 possible outlets. The butterfly valve bodies are welded or flanged directly to the product. They do not have any dead spaces, as this is the case with three-way ball valves for example, due to their design. In addition, the multiport butterfly valves do not require any stroke movement for switching, during which, for example, undesired contamination can occur. The product chamber in front of the flaps has been minimised to such an extent that full cleanability is possible.

The multi-port butterfly valves are equipped with the M&S type SV04. Due to their optimised design, these guarantee very good cleanability and longer service life of the seals.

Welded version



Flanged version



Usage

Features

Versions

- For diverting or distributing liquid, viscous or, to a certain extent, gaseous products in pipelines, apparatus and on tanks and containers.
- Preferably in hygienic production plants and cleaning processes, but can also be used in energy supply.

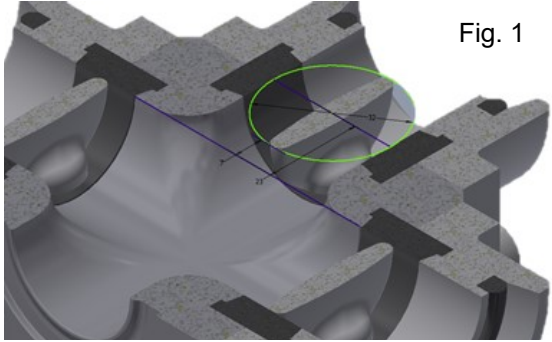
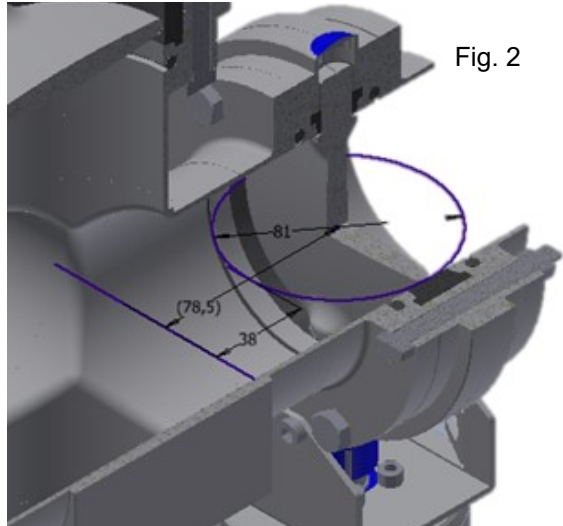
Usage

Features

Versions

- Multi-port butterfly valves without dead spaces due to their design, as these are e.g. with a three-way ball valve.
- Minimum 3 to maximum 6 ports, individually or simultaneously switchable.
- Compact, easy-to clean valve bodies with butterfly valves type SV04 welded or flange-mounted close to the product.
- CIP/SIP-capable.
- See also „special features“.



Usage	Features	Versions
<p>Special features</p> <ul style="list-style-type: none">• Multi-port flanged butterfly valve with 3-4 outlets (fig. 1)<ul style="list-style-type: none">* Length of outlet $\leq 1 \times D$.* Available sizes DN 32 to DN 80.* Can be combined with all connection variants of the valve programme type SV04.• Multi-port butterfly valve 3-6 outlets (fig. 2)<ul style="list-style-type: none">* Length of outlet $\leq 1 \times D$.* Available sizes DN 25 to DN 100.* Can be combined with all connection variants of the valve programme type SV04.		 <p>Fig. 1</p>  <p>Fig. 2</p>

Usage	Features	Versions
	<ul style="list-style-type: none">• Materials<ul style="list-style-type: none">* Housing: 1.4301/AISI 304, 1.4404/AISI 316L, other stainless steels, titanium or hastelloy.* Gaskets: VMQ red (also transparent), HNBR (FDA compliant); EPDM, FKM (FDA compliant and USP class VI)• Surfaces<ul style="list-style-type: none">* In contact with product $Ra \leq 0,8 \mu\text{m}$.* Not in contact with product $Ra \leq 1,6 \mu\text{m}$.• Operation<ul style="list-style-type: none">* Pneumatic, manual or electric actuation.• Automation<ul style="list-style-type: none">* End position feedback via proximity sensors or double sensor.* Feedback or control head or electro-pneumatic positioner.• Process connections<ul style="list-style-type: none">* With weld ends or connecting elements from the M&S portfolio.• Operating pressure<ul style="list-style-type: none">* 10 bar (DN 15 - DN 150).• Operating temperature<ul style="list-style-type: none">* Depending on the seal material (see data sheet of gasket qualities)	